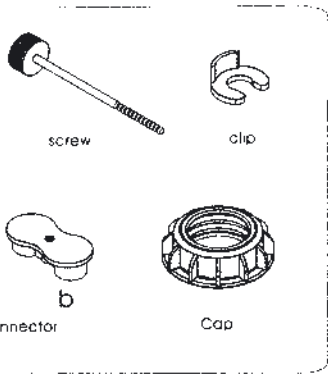
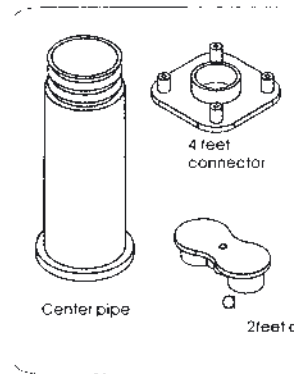
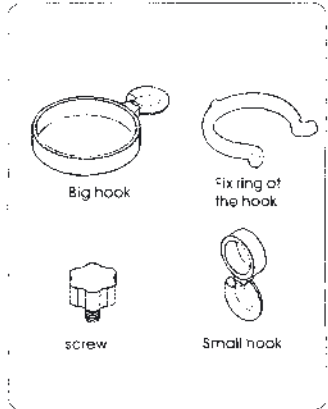
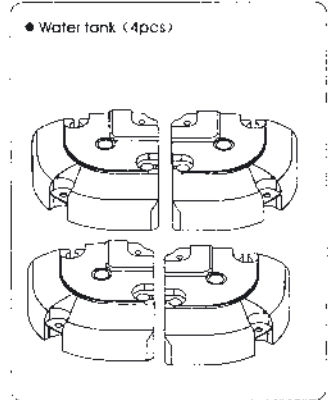
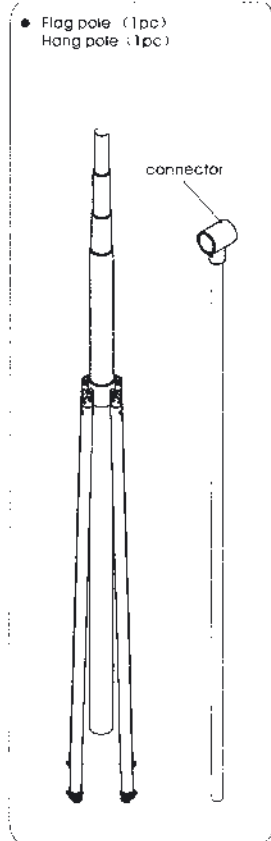
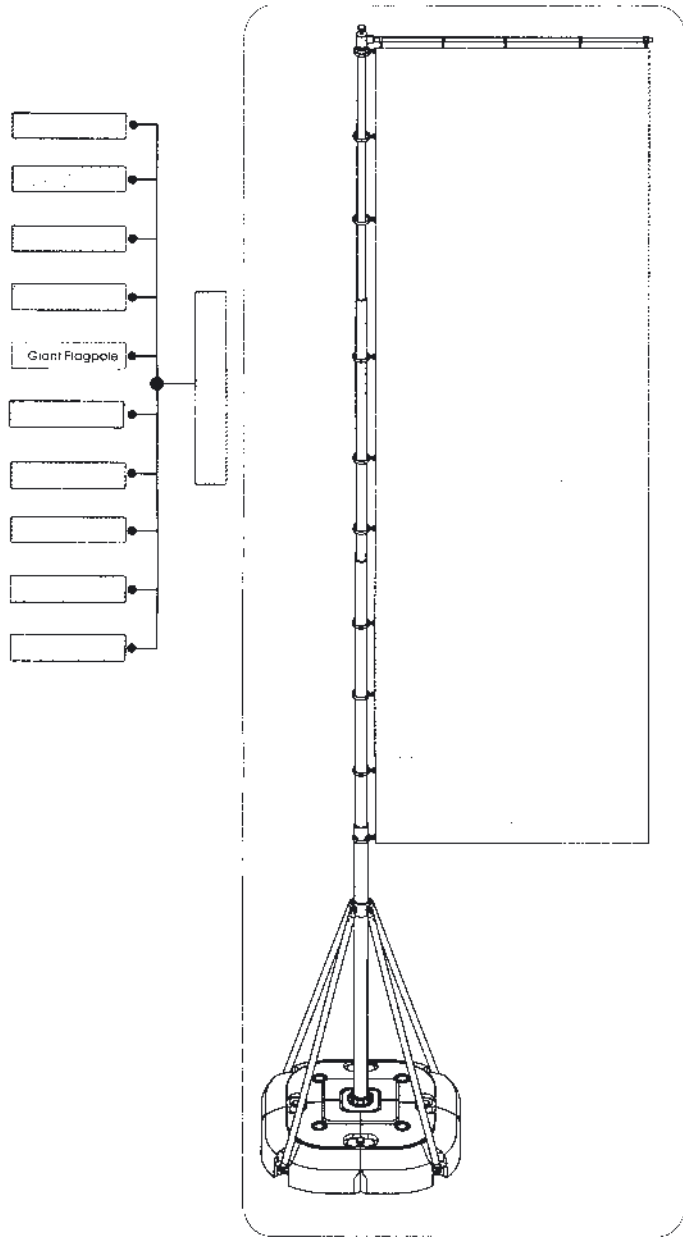


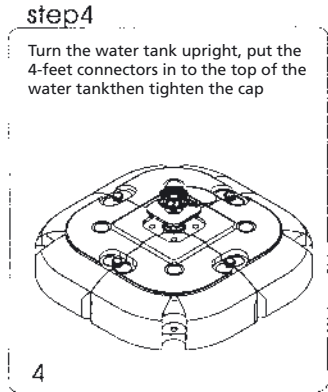
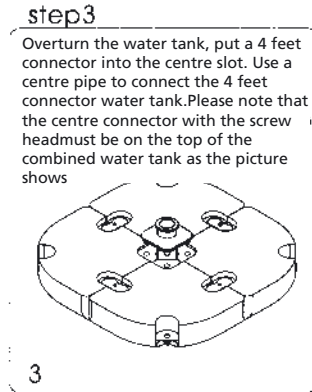
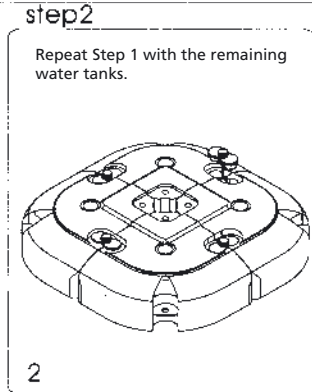
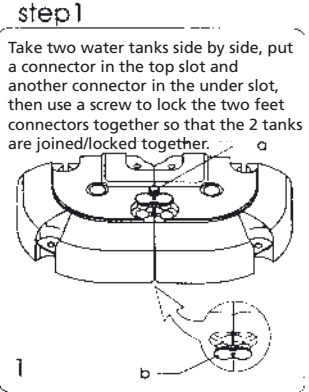
GIANT FLAG POLE

Instructions

Spare Parts List



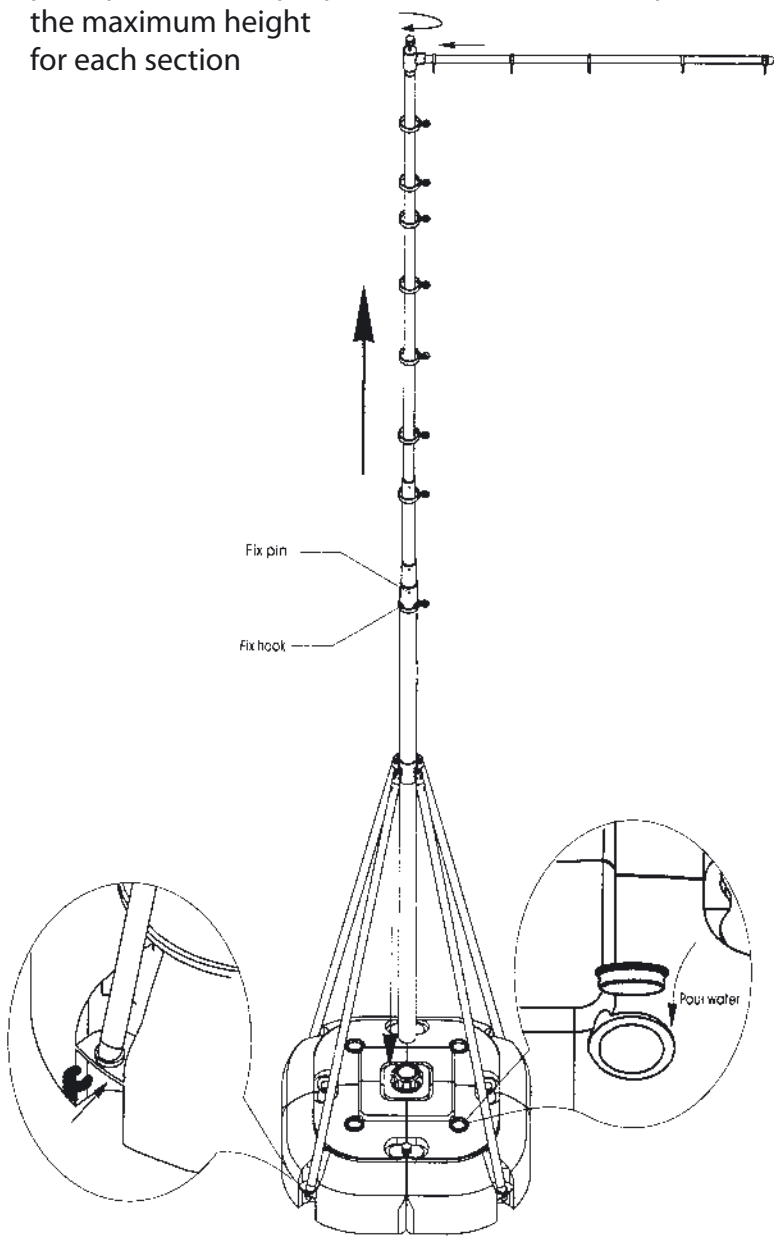
Assembly instructions



Assemble Instructions

step5

Insert the Flagpole into the completed water tanks as shown. Fix the printed banner on the flag pole and pull up the telescopic pole sections until the clip into the maximum height for each section



5

IMPORTANT:

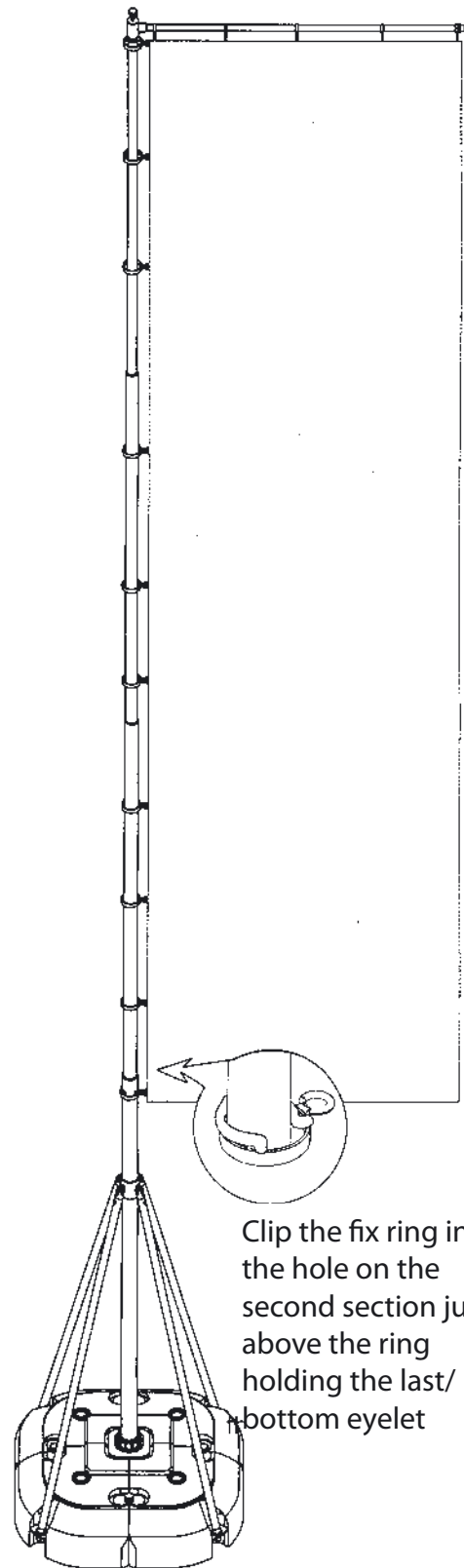
Please ensure you assemble the water tank as the instructions stated otherwise steps 5 and 6 cannot be completed

Each section of the water tank will hold a maximum of 18 litres

ALWAYS consider the wind and weather conditions and any changes that might and may occur during the time that the system is displayed.

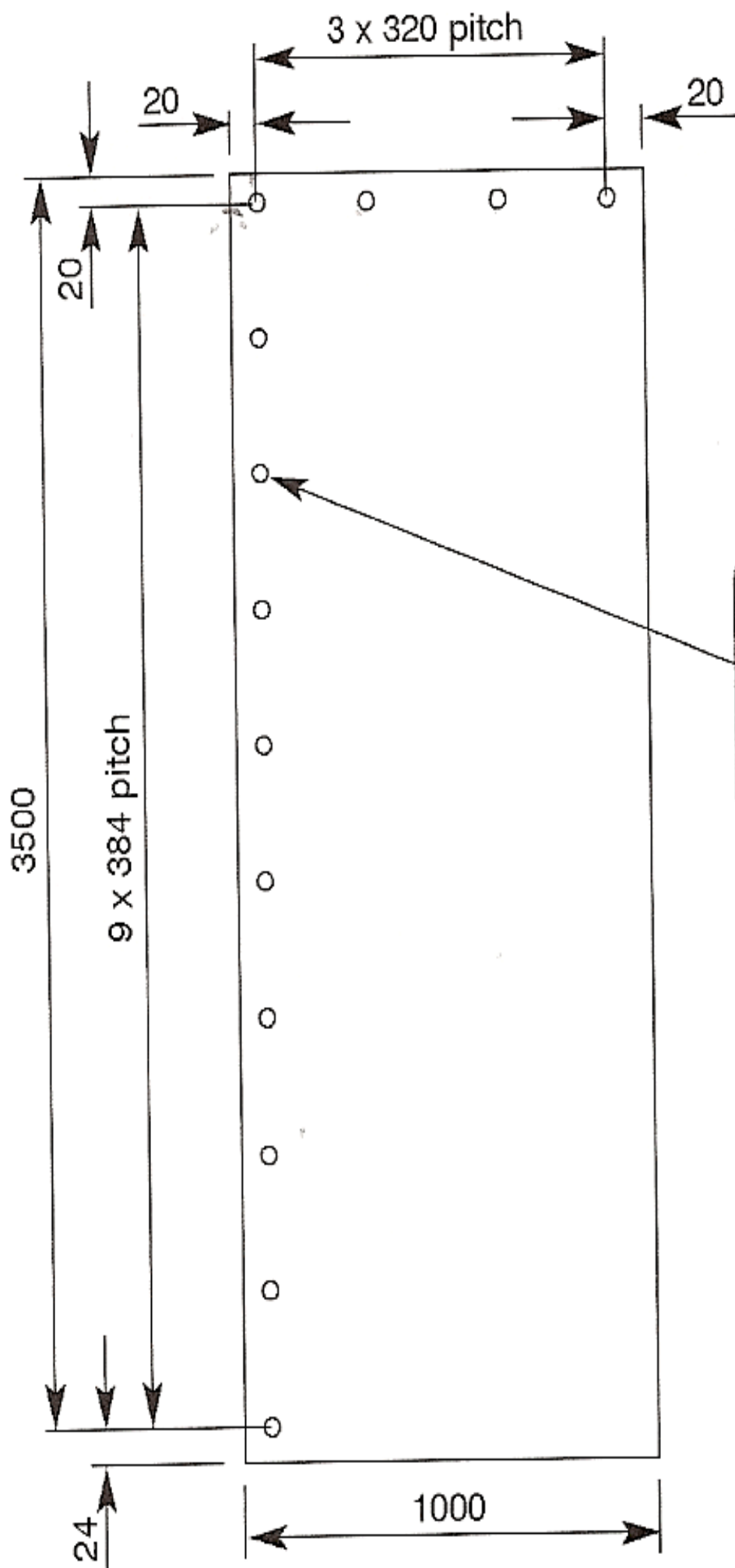
CONSIDER HEALTH AND SAFETY REGULATIONS AT ALL TIMES

step6



Clip the fix ring into the hole on the second section just above the ring holding the last/bottom eyelet

6



Recommended Flag dimensions



13 x Eyelets
(9.5 minimum internal dia)

Dimensions shown are to eyelet centres, are in mm and are approximate