

COBRA STATIC BANNER STAND

STATIC BANNER STANDS



SPECIFICATIONS

GRAPHIC PANEL SIZE

Finished graphic panel size

2315 x 800 / 1000mm
(Includes 200mm bleed)

Visual graphic area

2100 x 800 / 1000mm (this allows for the 14mm of graphic hidden by the top gripper rail)

Maximum finished graphic panel thickness

500 micron

SYSTEM SIZES

Boxed size

800mm = 830 (L) x 120 (W) x 110 (D)mm

1000mm = 1050 (L) x 140 (W) x 120 (D)mm

Assembled size

800mm = 815 (W) x 275 (D) x 2155 (H)mm

1000mm = 1015 (W) x 275 (D) x 2155 (H)mm

BOXED WEIGHT

800mm = 3kg

1000mm = 3.6kg

COMPONENT LIST

3 part telescopic pole

top gripper rail

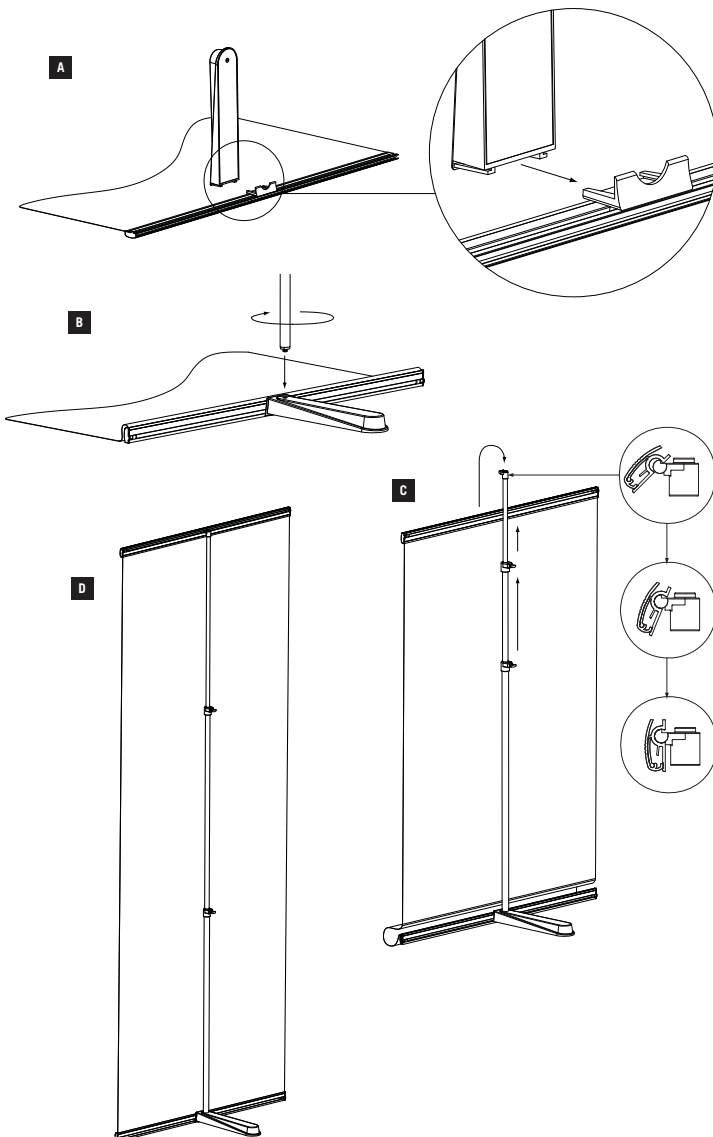
bottom gripper rail

foot

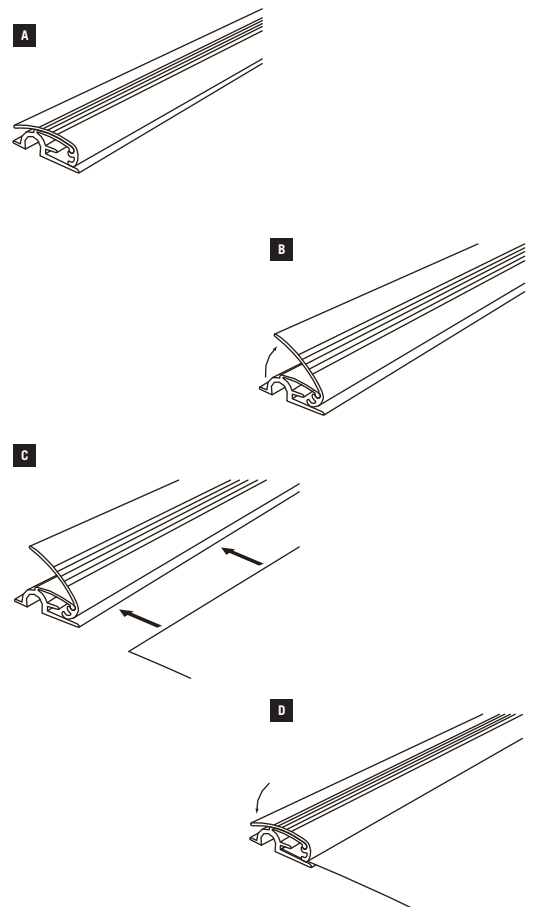
drawstring bag

carry box

COBRA BANNER STAND ASSEMBLY INSTRUCTIONS



GRAPHIC ATTACHMENT



COBRA

COBRA IS A **STYLISH** SINGLE SIDED STATIC BANNER STAND PRESENTED IN A SMART **SILVER ANODISED FINISH**, FEATURING AN **ADJUSTABLE TELESCOPIC POLE**. THE VISIBLE GRAPHIC PANEL SIZE IS 2100MM HIGH X 800MM WIDE.

FEATURES

- Fully adjustable telescopic pole from 800mm up to 2100mm
- Gripper style hangers
- Accepts up to 500 micron thickness graphic
- Comes complete with drawstring carry bag
- Optional carry tube available
- Visible graphic size 2072 x 800 (gripper rail hides 14mm at top & bottom)

ACCESSORIES

- Wide range of spotlighting options available

compact & lightweight



1



2



3



4



5



1



2



3



4



5



6



Easy to carry



- 1. Helios 3
50w hi spotlight
- 2. Helios 4
50w hi spotlight
- 3. Helios 5
50w hi spotlight
- 4. Helios 7
50w low voltage spotlight
- 5. Helios 8
50w low voltage spotlight
- 6. Optional carry tube