

# SWING SIGNS PAVEMENT SIGNAGE

PAVEMENT SIGNAGE



Functional and practical

Easy to assemble

Heavy duty recycled PVC bases

PAVEMENT SIGNAGE

# mini swing



'Mini' and compact, ideal when space is an issue. Used for more permanent advertising.

- Double-sided graphic area, white printable aluminium sign blank
- Printable graphic area 600 x 400mm
- Secure durable tamper proof hanging clips
- Heavy duty, shaped recycled PVC base



White frame option.



Durable, tamper proof hanging clips.



Attaching frame to base.



# SWING SIGNS

OUR NEW COLLECTION OF PAVEMENT SIGNS ARE FUNCTIONAL, PRACTICAL AND EASY TO ASSEMBLE. THE 'SWING' RANGE OFFERS FIVE ALTERNATIVES TO DELIVER YOUR CUSTOMERS' MESSAGE TO THE HIGH STREET.

## CLASSIC SWING

- Complete with white powder-coated printable aluminium sign blank
- Double-sided
- Secured with durable, tamper proof hanging clips
- Durable framework, powder-coated in white or black
- Heavy duty 'double crescent' shaped recycled PVC base
- Easy assembly, no tools required
- Delivered flat pack



- (1) White frame option
- (2) Durable, tamper proof hanging clips
- (3) Frame secures into base

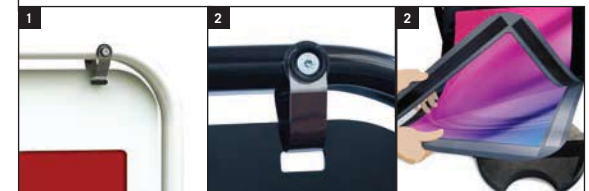


## SWITCH SWING

- Quick and easy graphic change clear magnetic pocket
- Header section suitable for overprinting
- Double-sided
- Houses A2 poster graphic
- Secured with durable, tamper proof hanging clips
- Durable framework, powder-coated in white or black
- Heavy duty 'double crescent' shaped recycled PVC base
- Easy assembly, no tools required
- Delivered flat pack



- (1) White frame option
- (2) Durable, tamper proof hanging clips
- (3) Magnetic poster pocket graphic change facility



## MINI SWING

- Complete with white powder-coated printable aluminium sign blank
- Double-sided
- Secured with durable, tamper proof hanging clips
- Durable framework, powder-coated in white or black
- Heavy duty shaped recycled PVC base
- Spanner included for base assembly
- Delivered flat pack



- (1) White frame option
- (2) Durable, tamper proof hanging clips
- (3) Attaching frame to base

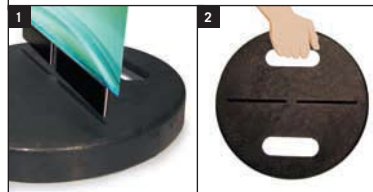


## SIGN WEDGE

- Friction fit assembly
- Complete with white powder-coated, printable, flexible aluminium sign blank
- Double-sided
- Heavy duty circular recycled PVC base
- Cut-outs in base for easy movement
- No tools required for assembly
- Two height options offered
- Delivered flat pack



- (1) Graphic panel wedges into base
- (2) Hand holes in base for easy movement



## CLASSIC SPECIFICATIONS

### Classic - Visual Panel Area

750 x 500mm

## SYSTEM SIZES

### BOXED SIZE

Classic  
935 (H) x 585 (W) x 85 (D) mm  
560 (H) x 485 (W) x 120 (D) mm

### ASSEMBLED SIZE

Classic  
915 (H) x 585 (D) x 475 (D) mm

### BOXED WEIGHT

Classic 11.8kg

## COMPONENT LIST

### Classic

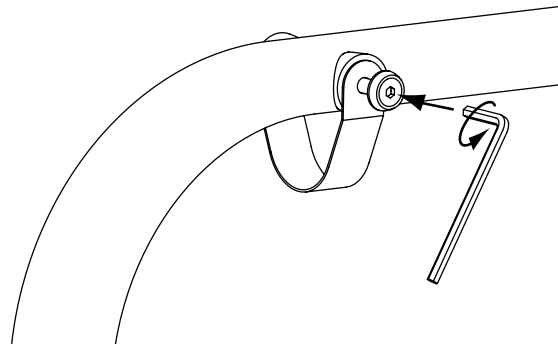
- 1 off recycled PVC base
- 1 off aluminium panel
- 1 off steel frame
- 1 off 4mm allen key

Items attached to steel frame:

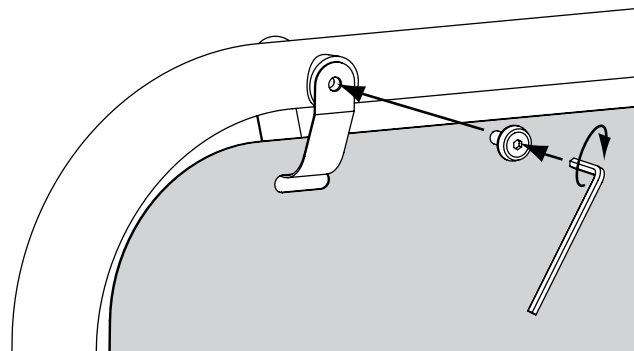
- 2 off panel hanging clip
- 4 off screw
- 4 off saddle washer
- 4 off finishing washer

## CLASSIC/SWITCH - PANEL ATTACHMENT

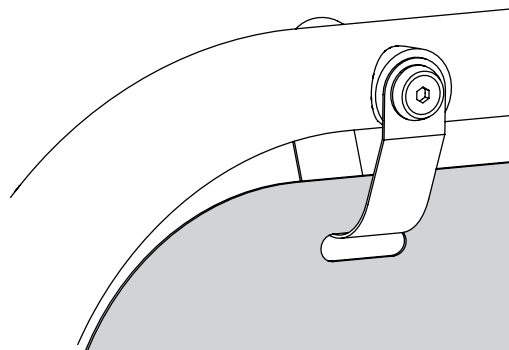
- A** Remove screw and fixings from one side of each panel hanging clip using a 4mm allen key.



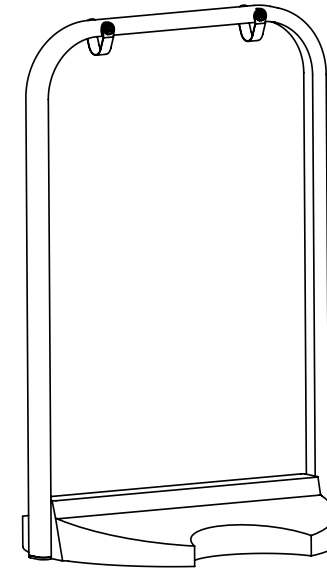
- B** Locate panel onto the panel hanging clips. Reassemble the panel hanging clips using the screws and fixings.



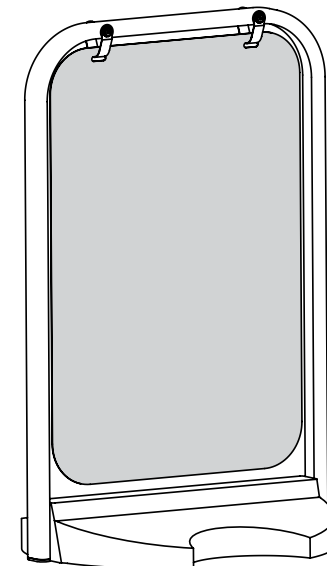
- C** Reassembled panel hanging clip.



## SIGN WITHOUT PANEL

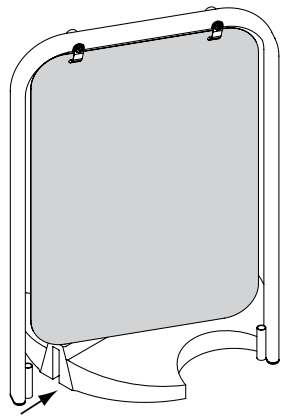


## SIGN WITH PANEL ATTACHED

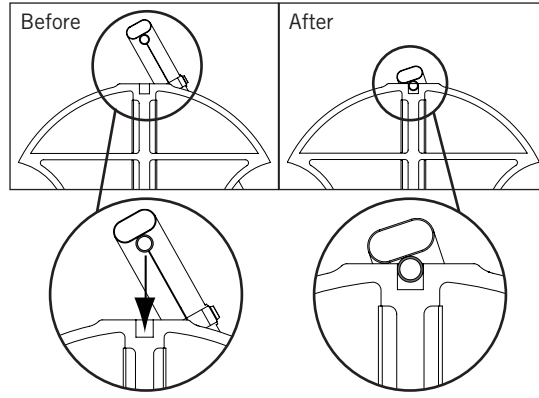


## CLASSIC/SWITCH - ASSEMBLY

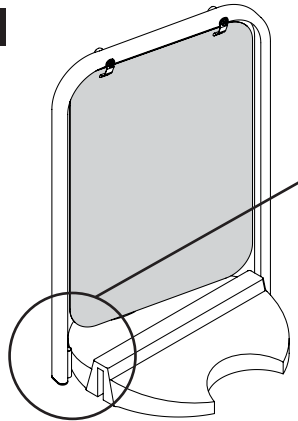
**A**



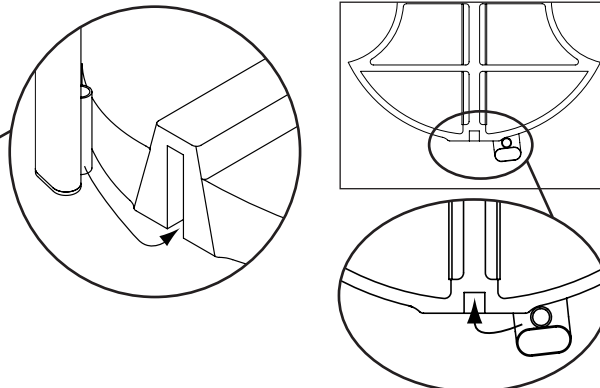
View of the underside



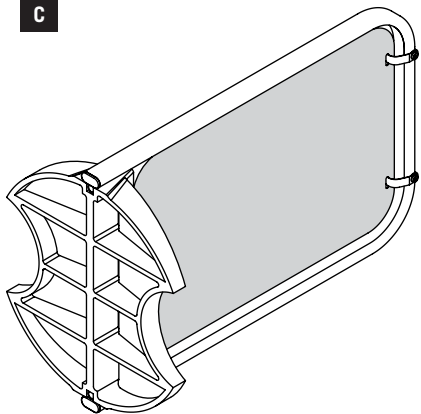
**B**



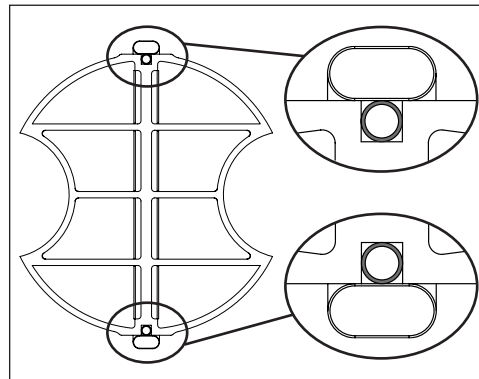
View of the underside



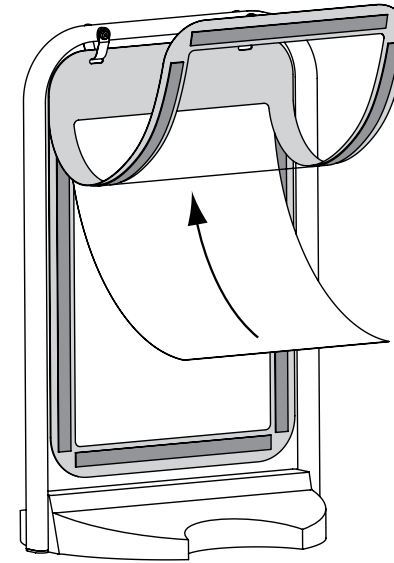
**C**



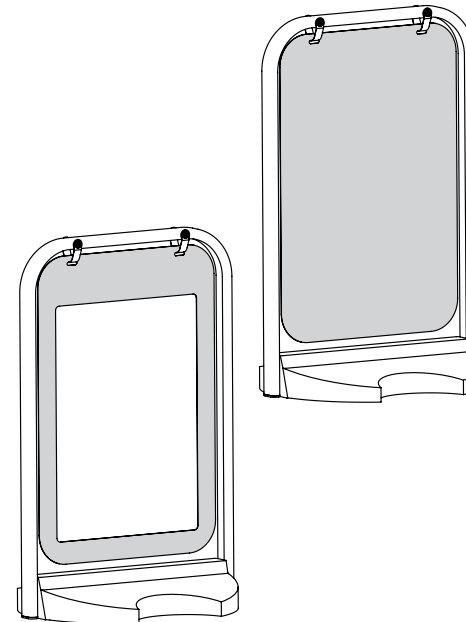
View of the underside



## SWITCH - ADDING GRAPHICS



## CLASSIC/SWITCH - FULLY ASSEMBLED



## SWITCH SPECIFICATIONS

### Switch - Graphic Panel Size

A2 (594 x 420mm)

### Switch - Visual Area

574 x 400mm

## SYSTEM SIZES

### BOXED SIZE

#### Switch

935 (H) x 585 (W) x 85 (D) mm  
560 (H) x 485 (W) x 120 (D) mm

### ASSEMBLED SIZE

#### Switch

915 (H) x 585 (D) x 475 (D) mm

### BOXED WEIGHT

Switch 11.8kg

## COMPONENT LIST

### Switch

- 1 off recycled PVC base
- 1 off flexible pocket
- 1 off steel frame
- 1 off 4mm allen key

### Items attached to steel frame:

- 2 off panel hanging clip
- 4 off screw
- 4 off saddle washer
- 4 off finishing washer

## SPECIFICATIONS

### VISUAL PANEL AREA

600 x 400mm

### SYSTEM SIZES

#### BOXED SIZE

775 (L) x 495 (W) x 60 (D) mm  
420 (L) x 400 (W) x 95 (D) mm

#### ASSEMBLED SIZE

760 (H) x 490 (D) x 390 (D) mm

#### BOXED WEIGHT

7.6kg

## COMPONENT LIST

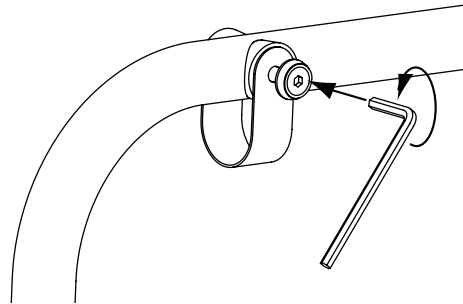
- 1 off recycled PVC base
- 1 off aluminium panel
- 1 off steel frame
- 1 off washer
- 1 off spring washer
- 1 off nut
- 1 off spanner
- 1 off 4mm allen key

Items attached to steel frame:

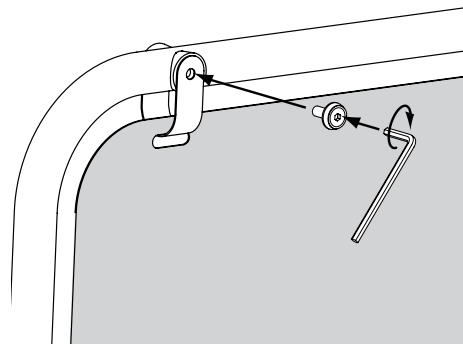
- 2 off panel hanging clip
- 4 off saddle washer
- 4 off finishing washer
- 4 of screw

## MINI SWING - PANEL ATTACHMENT

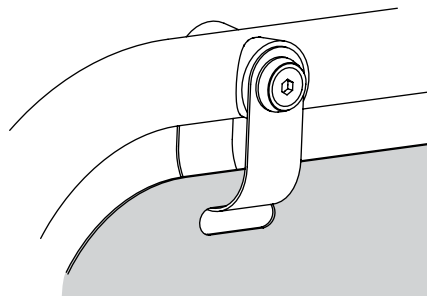
- 1 Remove screw and fixings from one side of each panel hanging clip using a 4mm allen key.



- 2 Locate panel onto the panel hanging clips. Reassemble the panel hanging clips using the screws and fixings.

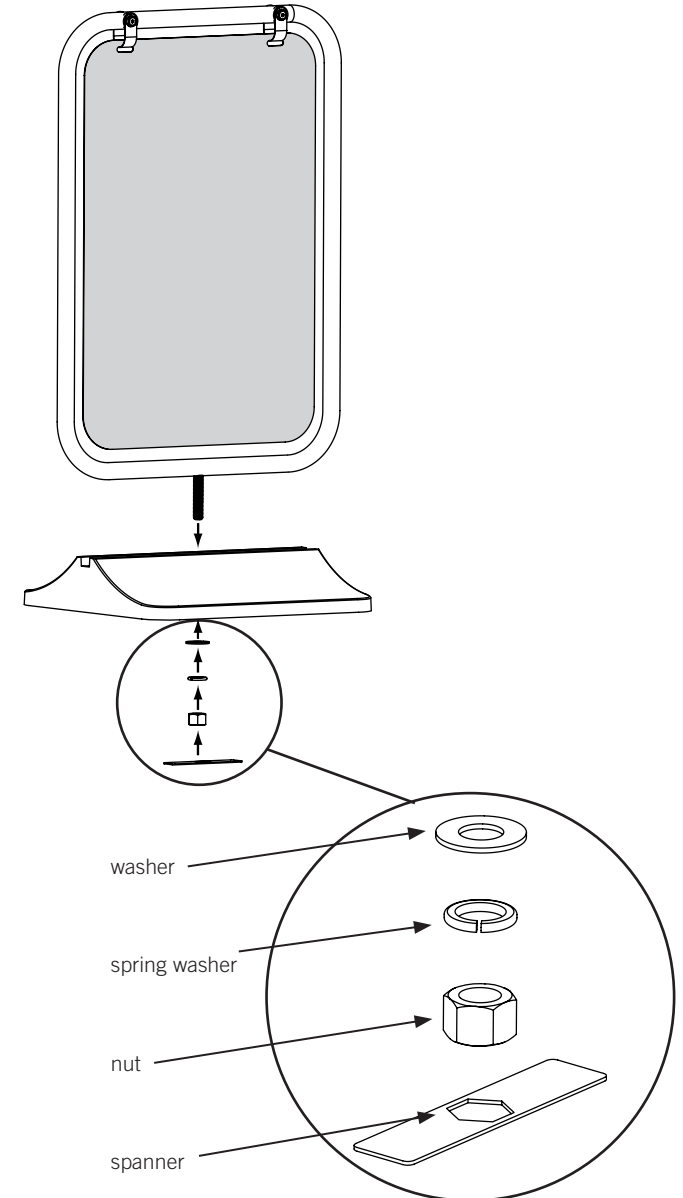


- 3 Reassembled panel hanging clip.



## MINI SWING - ASSEMBLY

- 1 Assemble using spanner provided.



## SPECIFICATIONS

### VISUAL PANEL AREA

#### Large

740 x 410mm

#### Small

585 x 390mm

### SYSTEM SIZES

#### BOXED SIZE

##### Large

450 (L) x 430 (W) x 70 (D) mm

905 (L) x 435 (W) x 10 (D) mm

##### Small

450 (L) x 430 (W) x 70 (D) mm

770 (L) x 485 (W) x 10 (D) mm

#### ASSEMBLED SIZE

##### Large

790 (H) x 420 (D) x 420 (D) mm

##### Small

635 (H) x 420 (D) x 420 (D) mm

#### BOXED WEIGHT

Large 6.8kg

Small 6.5kg

## COMPONENT LIST

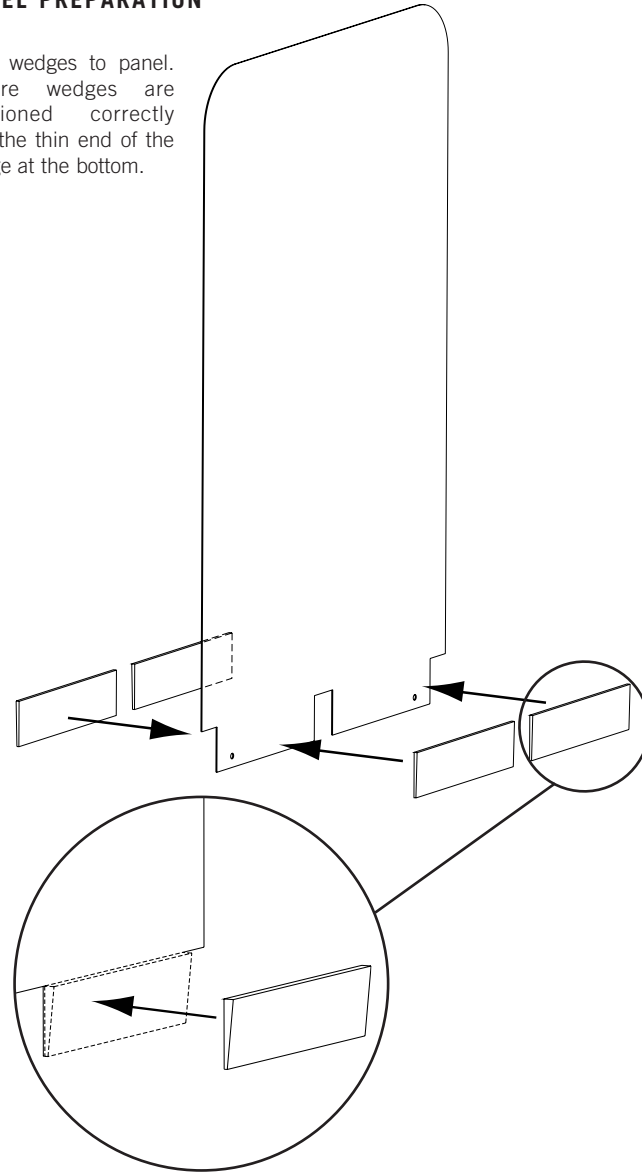
1 off recycled PVC base

1 off aluminium panel

4 off plastic wedge

## SIGN WEDGE - LARGE/SMALL PANEL PREPARATION

Stick wedges to panel.  
Ensure wedges are  
positioned correctly  
with the thin end of the  
wedge at the bottom.

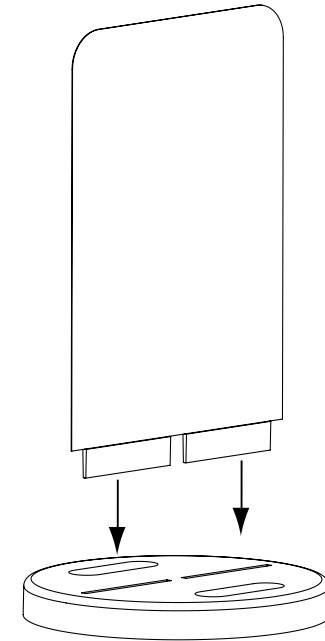


### IMPORTANT NOTICE:

- Apply pressure to wedges to ensure a firm bond between panel and wedges.
- Allow adhesive to cure for 24 hours before using this product.

## SIGN WEDGE - LARGE/SMALL ASSEMBLY

- 1 Wedge panel into base.



- 2 Finished unit.

