

# SWING SIGNS PAVEMENT SIGNAGE

PAVEMENT SIGNAGE



Functional and practical

Easy to assemble

Heavy duty recycled PVC bases

PAVEMENT SIGNAGE

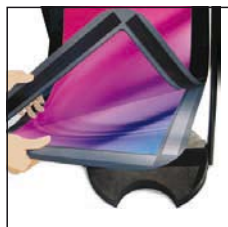
# switch



Black frame option.



Durable, tamper proof hanging clips.



Magnetic poster pocket graphic change facility.

'Switch' your poster with our quick and easy clear magnetic pocket. Ideal for regularly changed promotions or headline grabbing displays.

- Double-sided magnetic poster pocket with printable header section
- Houses A2 Poster [594 x 420mm]
- Secure durable tamper proof hanging clips
- Heavy duty 'double crescent' shaped, recycled PVC base



# SWING SIGNS

OUR NEW COLLECTION OF PAVEMENT SIGNS ARE FUNCTIONAL, PRACTICAL AND EASY TO ASSEMBLE. THE 'SWING' RANGE OFFERS FIVE ALTERNATIVES TO DELIVER YOUR CUSTOMERS' MESSAGE TO THE HIGH STREET.

## CLASSIC SWING

- Complete with white powder-coated printable aluminium sign blank
- Double-sided
- Secured with durable, tamper proof hanging clips
- Durable framework, powder-coated in white or black
- Heavy duty 'double crescent' shaped recycled PVC base
- Easy assembly, no tools required
- Delivered flat pack



- (1) White frame option
- (2) Durable, tamper proof hanging clips
- (3) Frame secures into base



## SWITCH SWING

- Quick and easy graphic change clear magnetic pocket
- Header section suitable for overprinting
- Double-sided
- Houses A2 poster graphic
- Secured with durable, tamper proof hanging clips
- Durable framework, powder-coated in white or black
- Heavy duty 'double crescent' shaped recycled PVC base
- Easy assembly, no tools required
- Delivered flat pack



- (1) White frame option
- (2) Durable, tamper proof hanging clips
- (3) Magnetic poster pocket graphic change facility



## MINI SWING

- Complete with white powder-coated printable aluminium sign blank
- Double-sided
- Secured with durable, tamper proof hanging clips
- Durable framework, powder-coated in white or black
- Heavy duty shaped recycled PVC base
- Spanner included for base assembly
- Delivered flat pack



- (1) White frame option
- (2) Durable, tamper proof hanging clips
- (3) Attaching frame to base

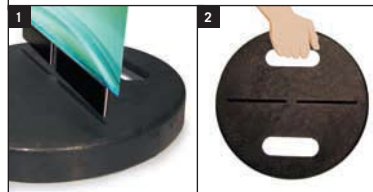


## SIGN WEDGE

- Friction fit assembly
- Complete with white powder-coated, printable, flexible aluminium sign blank
- Double-sided
- Heavy duty circular recycled PVC base
- Cut-outs in base for easy movement
- No tools required for assembly
- Two height options offered
- Delivered flat pack



- (1) Graphic panel wedges into base
- (2) Hand holes in base for easy movement



## CLASSIC SPECIFICATIONS

### Classic - Visual Panel Area

750 x 500mm

## SYSTEM SIZES

### BOXED SIZE

Classic  
935 (H) x 585 (W) x 85 (D) mm  
560 (H) x 485 (W) x 120 (D) mm

### ASSEMBLED SIZE

Classic  
915 (H) x 585 (D) x 475 (D) mm

### BOXED WEIGHT

Classic 11.8kg

## COMPONENT LIST

### Classic

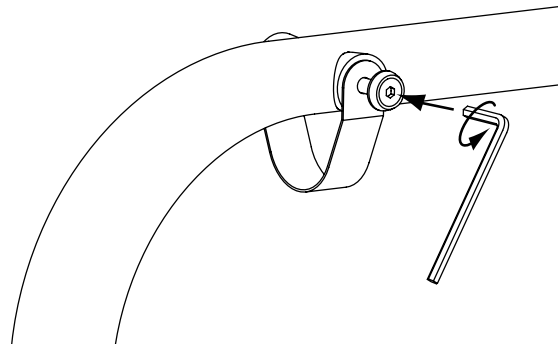
- 1 off recycled PVC base
- 1 off aluminium panel
- 1 off steel frame
- 1 off 4mm allen key

Items attached to steel frame:

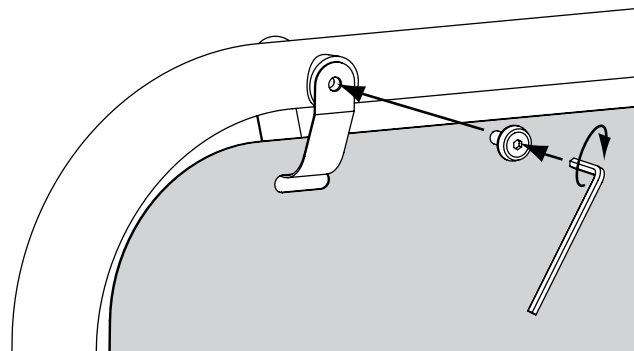
- 2 off panel hanging clip
- 4 off screw
- 4 off saddle washer
- 4 off finishing washer

## CLASSIC/SWITCH - PANEL ATTACHMENT

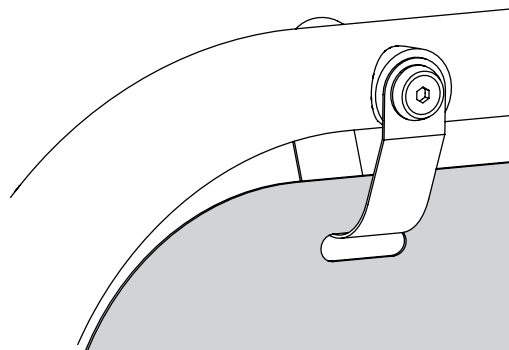
- A** Remove screw and fixings from one side of each panel hanging clip using a 4mm allen key.



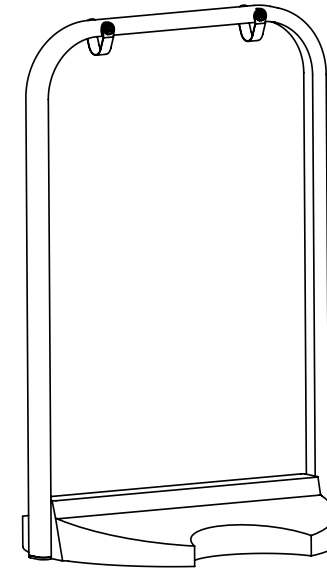
- B** Locate panel onto the panel hanging clips. Reassemble the panel hanging clips using the screws and fixings.



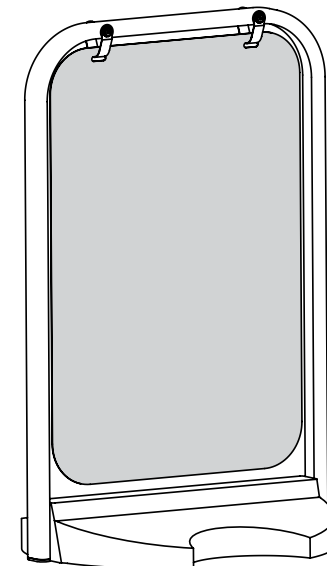
- C** Reassembled panel hanging clip.



## SIGN WITHOUT PANEL

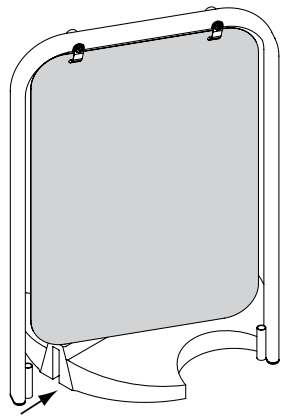


## SIGN WITH PANEL ATTACHED

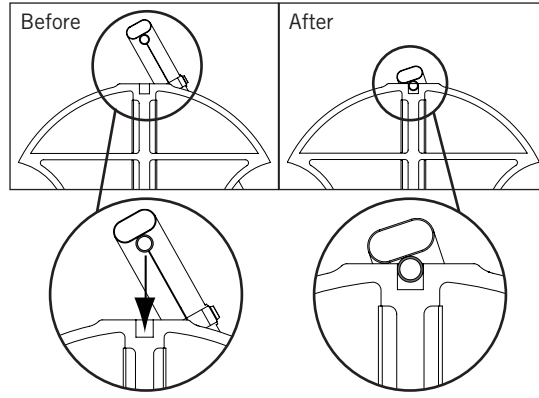


## CLASSIC/SWITCH - ASSEMBLY

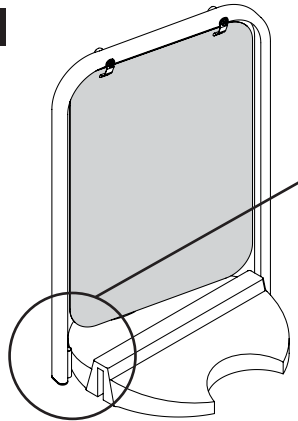
**A**



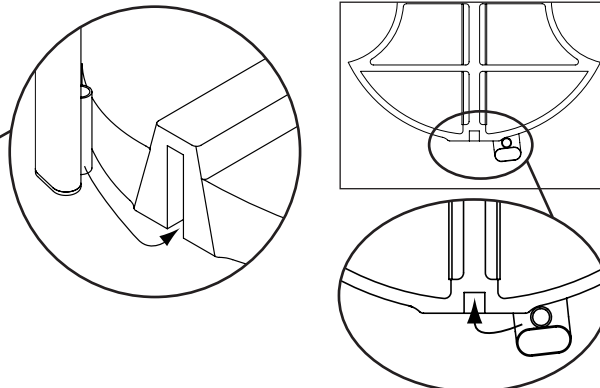
View of the underside



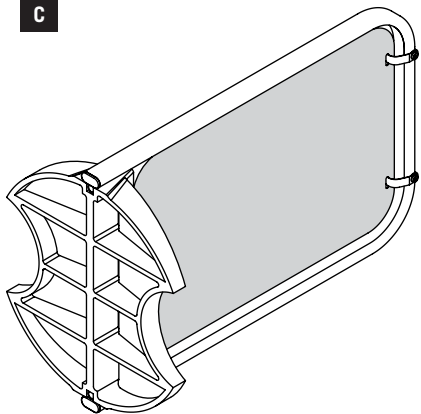
**B**



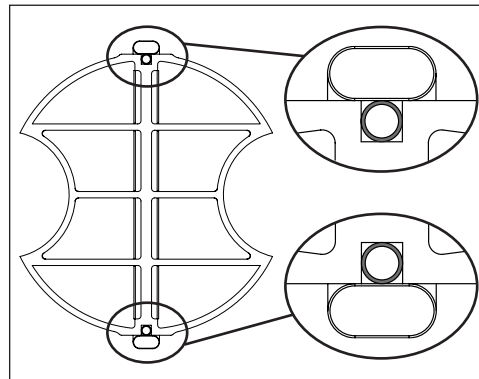
View of the underside



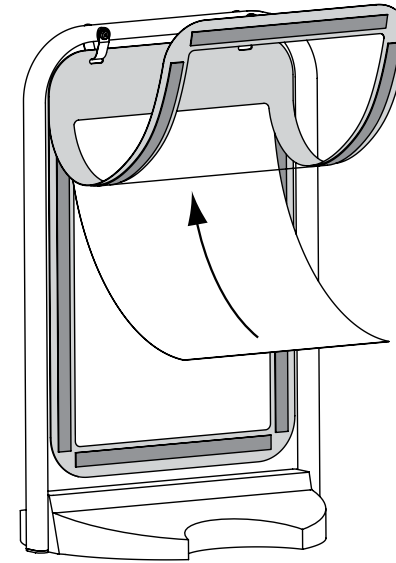
**C**



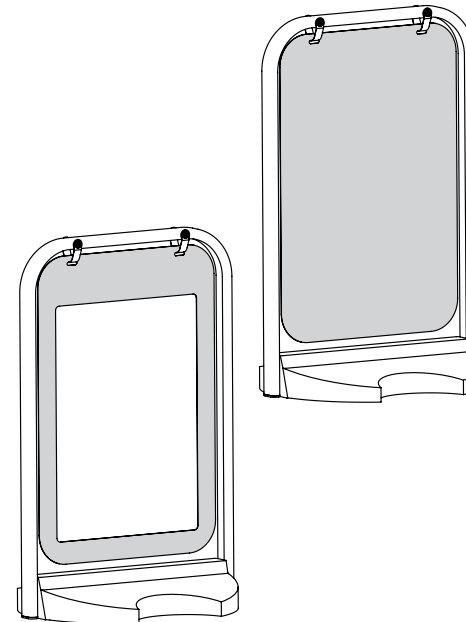
View of the underside



## SWITCH - ADDING GRAPHICS



## CLASSIC/SWITCH - FULLY ASSEMBLED



## SWITCH SPECIFICATIONS

### Switch - Graphic Panel Size

A2 (594 x 420mm)

### Switch - Visual Area

574 x 400mm

## SYSTEM SIZES

### BOXED SIZE

#### Switch

935 (H) x 585 (W) x 85 (D) mm  
560 (H) x 485 (W) x 120 (D) mm

### ASSEMBLED SIZE

#### Switch

915 (H) x 585 (D) x 475 (D) mm

### BOXED WEIGHT

Switch 11.8kg

## COMPONENT LIST

### Switch

- 1 off recycled PVC base
- 1 off flexible pocket
- 1 off steel frame
- 1 off 4mm allen key

### Items attached to steel frame:

- 2 off panel hanging clip
- 4 off screw
- 4 off saddle washer
- 4 off finishing washer

## SPECIFICATIONS

### VISUAL PANEL AREA

600 x 400mm

### SYSTEM SIZES

#### BOXED SIZE

775 (L) x 495 (W) x 60 (D) mm  
420 (L) x 400 (W) x 95 (D) mm

#### ASSEMBLED SIZE

760 (H) x 490 (D) x 390 (D) mm

#### BOXED WEIGHT

7.6kg

## COMPONENT LIST

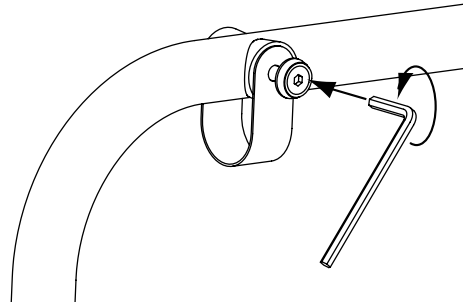
- 1 off recycled PVC base
- 1 off aluminium panel
- 1 off steel frame
- 1 off washer
- 1 off spring washer
- 1 off nut
- 1 off spanner
- 1 off 4mm allen key

Items attached to steel frame:

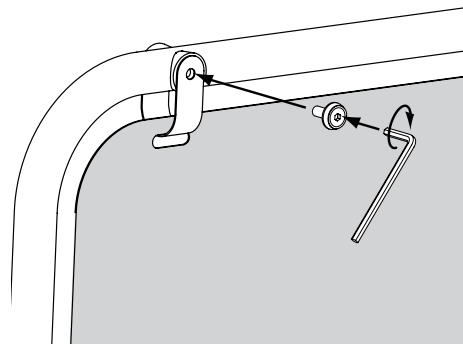
- 2 off panel hanging clip
- 4 off saddle washer
- 4 off finishing washer
- 4 of screw

## MINI SWING - PANEL ATTACHMENT

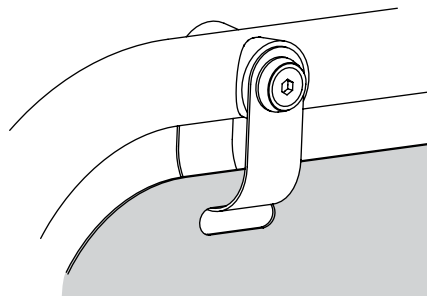
- 1 Remove screw and fixings from one side of each panel hanging clip using a 4mm allen key.



- 2 Locate panel onto the panel hanging clips. Reassemble the panel hanging clips using the screws and fixings.

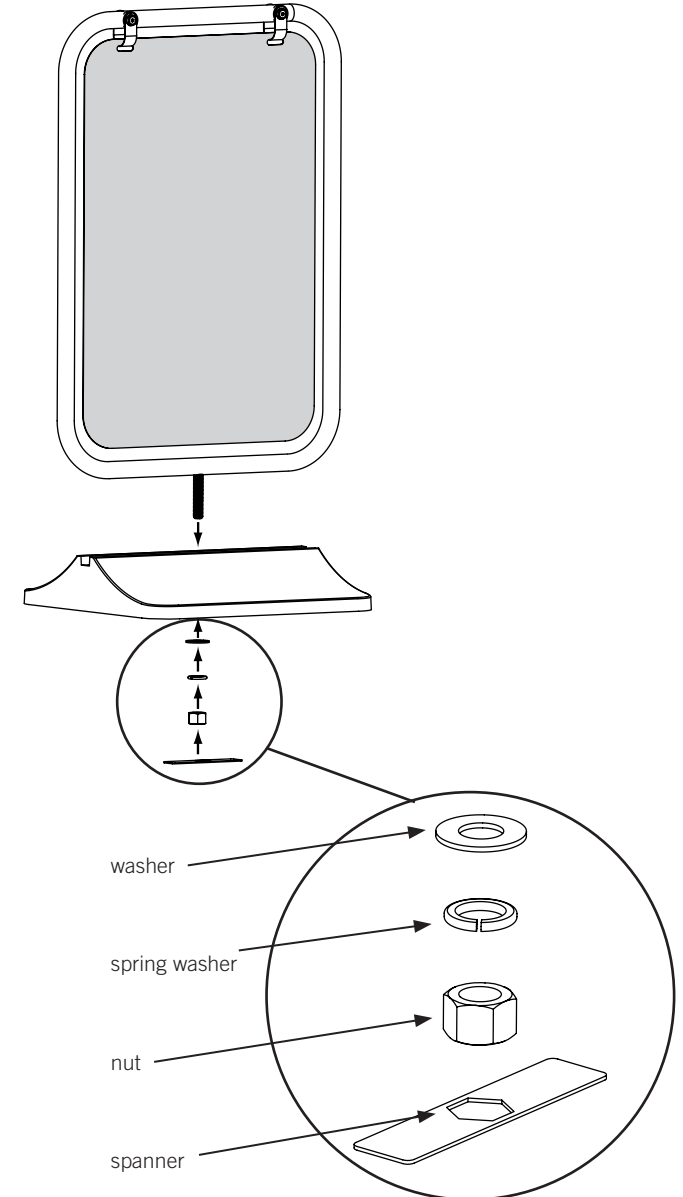


- 3 Reassembled panel hanging clip.



## MINI SWING - ASSEMBLY

- 1 Assemble using spanner provided.



## SPECIFICATIONS

### VISUAL PANEL AREA

#### Large

740 x 410mm

#### Small

585 x 390mm

### SYSTEM SIZES

#### BOXED SIZE

##### Large

450 (L) x 430 (W) x 70 (D) mm

905 (L) x 435 (W) x 10 (D) mm

##### Small

450 (L) x 430 (W) x 70 (D) mm

770 (L) x 485 (W) x 10 (D) mm

#### ASSEMBLED SIZE

##### Large

790 (H) x 420 (D) x 420 (D) mm

##### Small

635 (H) x 420 (D) x 420 (D) mm

#### BOXED WEIGHT

Large 6.8kg

Small 6.5kg

## COMPONENT LIST

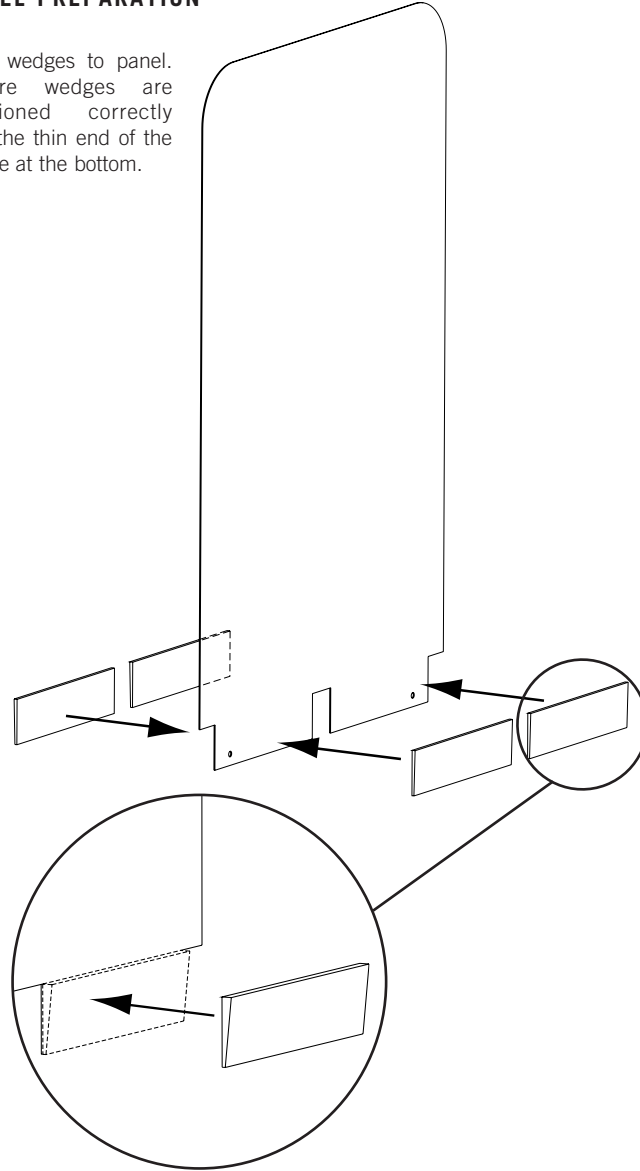
1 off recycled PVC base

1 off aluminium panel

4 off plastic wedge

## SIGN WEDGE - LARGE/SMALL PANEL PREPARATION

Stick wedges to panel.  
Ensure wedges are  
positioned correctly  
with the thin end of the  
wedge at the bottom.

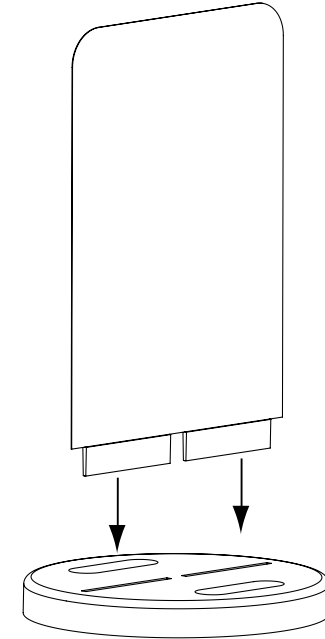


### IMPORTANT NOTICE:

- Apply pressure to ensure a firm bond between panel and wedges.
- Allow adhesive to cure for 24 hours before using this product.

## SIGN WEDGE - LARGE/SMALL ASSEMBLY

- 1 Wedge panel into base.



- 2 Finished unit.

