

SPECIFICATIONS

GRAPHIC PANEL SIZE

Finished graphic panel size
2300 x 800mm
(Includes 200mm bleed)

Visual graphic area

2100 x 800mm

Maximum finished graphic panel thickness

250 micron

SYSTEM SIZES

Boxed size

850 (L) x 105 (W) x 105 (D)mm

Assembled size

815 (W) x 270 (D) x 2185 (H)mm

BOXED WEIGHT

1,95kg

COMPONENT LIST

Zeta unit

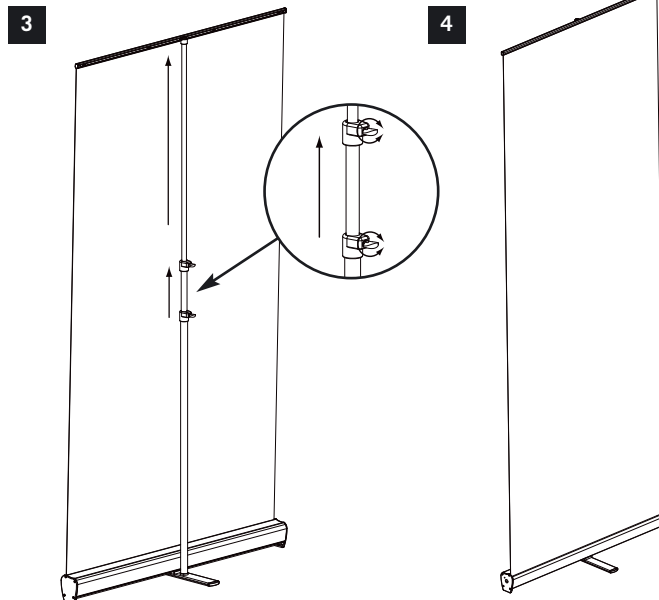
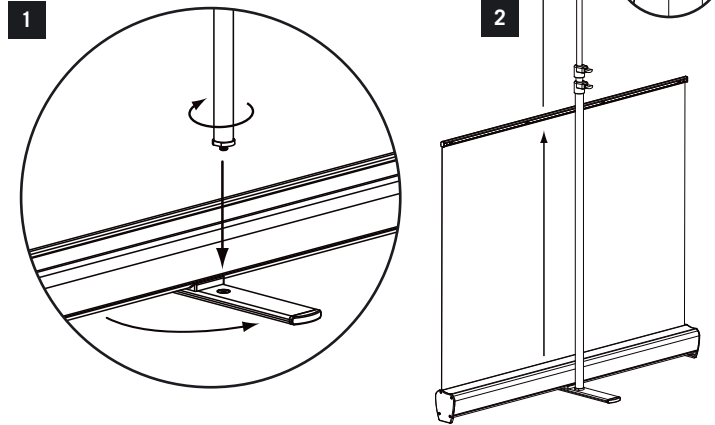
3 part telescopic pole

Graphic hanger including self adhesive hanging strip

Drawstring bag

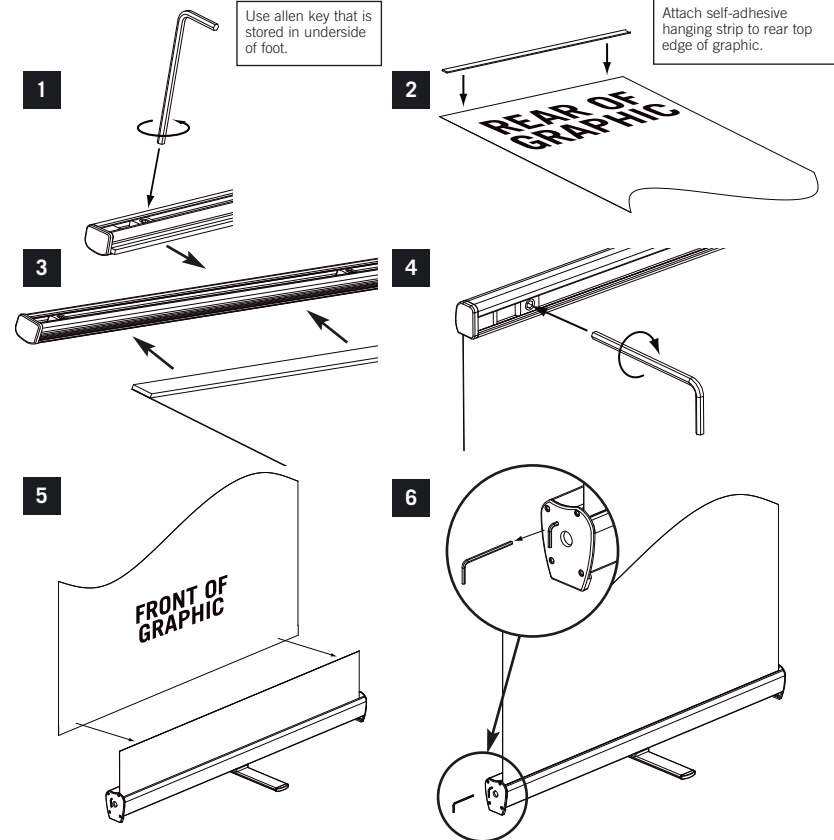
Carry box

ZETA ASSEMBLY INSTRUCTIONS



IMPORTANT NOTICE:
When retracting a graphic always slowly guide it into base housing, otherwise graphic damage may occur.

GRAPHIC ATTACHMENT



Attach front bottom edge of graphic panel to double sided tape on leader sheet.

Holding onto graphic, remove locking pin and allow to slowly retract into unit.

IMPORTANT NOTICE:

To ensure a proper bond between graphic and double sided tape pressure must be applied. The adhesive should be allowed to cure for 24 hours before tension is applied.

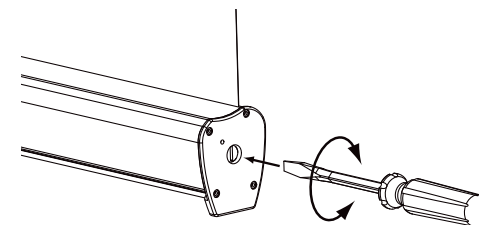
ADDING OR REMOVING GRAPHIC TENSION

ADDING TENSION

Insert a standard flat headed screwdriver into slot located in the end of unit and turn clockwise to add extra graphic tension.

REMOVING TENSION

To un-tension graphic panel place a flat headed screwdriver into the slot and push to disengage ratchet. Hold in and turn anti-clockwise until tension in spring is released. To remove graphic panel carefully peel it off leader sheet. The graphic hanger can also be removed or a new hanger can be purchased.





LIGHTS

1		2	
3		4	
5		<ul style="list-style-type: none">1. Helios 3 50w hi spotlight2. Helios 4 50w hi spotlight3. Helios 5 50w hi spotlight4. Helios 7 50w low voltage spotlight5. Helios 8 50w low voltage spotlight	

HIGHLY PORTABLE

SINGLE SIDED GRAPHICS

RAPID ASSEMBLY

2 YEAR WARRANTY